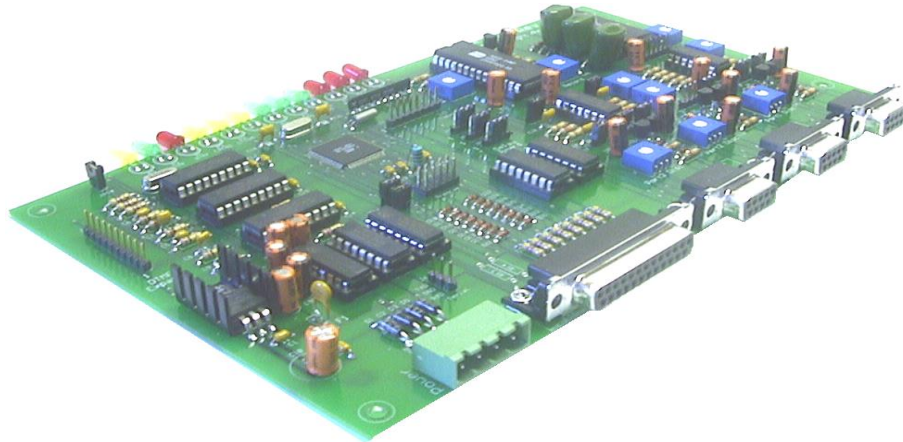




Arcom Communications
24035 NE Butteville Rd
Aurora, Oregon 97002
(503) 678-6182

sales@arcomcontrollers.com

<https://www.arcomcontrollers.com/>



RC210 Repeater Controller

Hardware Manual

Hardware Version 4.0

May 3, 2022

Reproduction or translation of any part of this manual beyond that permitted by sections 107 or 108 of the 1976 United States Copyright Act (or its legal successor) without the express written permission of Arcom Communications is unlawful as noted below. Requests for permission to copy or for further information should be addressed to Arcom Communications. Except as noted above, permission is hereby granted for any non-profit group or individual to reproduce any portion of this document provided that: the reproduction is not sold for profit; the intent of reproduction is to further disseminate information on the RC210 Repeater Controller kit; the reproduction is not used for advertising or otherwise promoting any specific commercial product other than the RC210; and full credit is given to Arcom Communications as the original source of information.

The information contained in the manual has been carefully checked for accuracy and is believed to be entirely reliable. However, no responsibility is assumed for inaccuracies. Arcom Communications reserves the right to make changes in the RC210 Repeater Controller kit to improve reliability, function or design without obligation to purchasers of previous equipment. Arcom Communications does not assume any liability arising out of the application or use of any product or circuit described herein; neither does it convey license under its patent rights or the rights of others.

(This page intentionally blank)

Contents

(THIS PAGE INTENTIONALLY BLANK).....	2
INTRODUCTION.....	4
FEATURES.....	4
DESCRIPTION OF FEATURES.....	5
A STANDALONE REPEATER.....	5
HALF-DUPLEX OR FULL-DUPLEX LINK.....	5
CONTROL RECEIVER.....	5
REMOTE BASE.....	5
A WORD ABOUT IDENTIFICATION.....	6
SPECIFICATIONS.....	6
HARDWARE REFERENCE.....	7
POWER.....	7
CARRIER OPERATED SWITCH.....	7
SUB-AUDIBLE TONE DECODER.....	8
PUSH-TO-TALK.....	8
RECEIVER AUDIO AND DE-EMPHASIS.....	8
TRANSMITTER AUDIO.....	8
DTMF DECODERS.....	9
INDICATOR LEDs.....	9
AUXILIARY AUDIO INPUTS.....	9
EXPANSION CONNECTORS.....	9
RADIO CONNECTIONS.....	10
I/O CONNECTIONS.....	11
SETTING AUDIO LEVELS.....	12
CHECKING COS AND PTT OPERATION.....	13
<i>Voltage</i>	13
<i>Current</i>	14
<i>Measuring Temperature</i>	15
ALARMS.....	16
FAN OUTPUT.....	16
SERIAL DATA INPUT/OUTPUT.....	17
ARCOM COMMUNICATIONS NO-NONSENSE LICENSE AGREEMENT FOR THE OPERATING FIRMWARE OF THE RC210 REPEATER CONTROLLER.....	19
PC BOARD LAYOUT.....	22

Introduction

Congratulations on your purchase of the RC210 Repeater Controller. By harnessing the power of state-of-the-art RISC microprocessor technology in a sophisticated 3 port design and the resulting reduction in required components, the RC210 provides your repeater with a rugged, reliable and expandable controller with features usually found in controllers costing hundreds of dollars more.

The RC210 continues the Arcom tradition started with our RC-110 Repeater Controller by making updates to the operating firmware available for free to purchasers of the RC210. As updates become available, they are posted on our website and available free of charge to any RC210 owner. Installing updates requires no more than a computer running Windows XP/Vista/Win7/Win8/Win10/Win11 with a serial (or USB) port. With the RC210, you just download the free update and upload it into your RC210 in minutes!

Features

- ❑ Three port design - Each port may be operated independently with its own hang time, ID's and Courtesy Tones.
- ❑ Selectable Monitor Mute/Monitor Mix audio for each link port and selectable cross linking ability between ports
- ❑ Each port may be defined as half or full-duplex
- ❑ 240+ word vocabulary in real human speech. May be used in programmable ID's or other messages
- ❑ On-board DVR for recording your own custom messages over the air (may be used in any programmable message)
- ❑ Fully programmable command codes up to 8 digits each
- ❑ Automatic ID rotation with Initial and Pending ID's and timers.
- ❑ Programmable CW messages programmable dual-tone and speed, on a per port basis
- ❑ Gated audio on all ports with selectable de-emphasis - you may tap directly off the discriminator without regard for squelch action or de-emphasis on any port
- ❑ True sine wave microprocessor generated tones
- ❑ Use of low-noise, high-impedance JFET op amps for exceptional audio quality
- ❑ 40 Command Macros that can store up to 15 commands each, including other macros
- ❑ 50 Command Macros that can store up to 6 commands each, including other macros
- ❑ 50 Command Macros that can store up to 6 commands each, including other macros
- ❑ 15 Command Macros that can store up to 20 commands each, including other macros
- ❑ Each port has its own dedicated DTMF decoder
- ❑ DTMF Pad Test where entered digits are read back by the controller
- ❑ Selectable CTCSS/Carrier squelch modes on all ports.
- ❑ 6 General purpose timers for specially timed events
- ❑ Each port may be defined to require CTCSS or not require CTCSS for DTMF operation
- ❑ Selectable Enable/Disable of DTMF on all ports
- ❑ Selectable polarity of COS and CTCSS signals on each port
- ❑ Selectable CTCSS encode control output with programmable delay dropout for controlling external CTCSS encoder on each port
- ❑ Frequency agile Remote Base operation, including transmitter offset and CTCSS selection.
- ❑ 8 A/D inputs for voltage or current measurements with 6 custom definable meter faces
- ❑ 3 auxiliary audio inputs for use with a weather receiver, autopatch or other external audio source
- ❑ A/D inputs and Alarm inputs protected against over or negative voltages
- ❑ Scheduler with 40 setpoints
- ❑ Choice of DB9 or RJ45 connectors for radio port connection.
- ❑ 5 digital inputs
- ❑ LED displays of controller status
- ❑ 7 user controllable digital outputs for remote control - expandable to 23
- ❑ Programmable timers, including hang time, timeout and ID interval
- ❑ Hardware watchdog timer
- ❑ Fan control with programmable shut off timer

Description of Features

The RC210 provides 3 radio "ports", each of which may be operated independently or in unison with the others. With simple programming, each port can be configured as follows:

A Standalone Repeater

A signal received on that port's receiver is retransmitted out that port's transmitter. Each port has its own independent hang timer, timeout timer, up to 10 courtesy tones and dedicated DTMF decoder, so you may operate one RC210 to control 3 independent repeaters. On command, any port may be tied to any other port for linking purposes.

Half-Duplex Or Full-Duplex Link

If a port is configured as half-duplex, a signal received on that port's receiver is NOT retransmitted out that port's transmitter. Through DTMF commands, the receiver's COS (and CTCSS signal, if so equipped) and audio is routed to either - or both - of the other ports. This is useful for linking to other sites or connecting your system to an EchoLink®, IRLP® or other such system.

Control Receiver

Because of the RC210's ability to control any Port from any other Port, there is no need for a special, dedicated control receiver port. By using the right combination of Macro Functions, you can easily and quickly disable or enable any function the RC210 is capable of performing. For example, you have a repeater on Port 1 and a link on Port 2 and a control receiver on Port 3.

Remote Base

Any port can be used for a remote base - a half-duplex (or simplex) radio connected to the repeater system that allows the repeater users to remotely operate on a different frequency/mode/band than the repeater. Frequency, transmitter offset and CTCSS may all be remotely programmed over the air. The complete list of supported remote base radios can be found in Appendix A.

Regardless of how you configured a port, each one provides all signals needed for the radio connected to it (COS, transmit and discriminator audio, CTCSS encode and decode). You have a choice of either DB9's or RJ45 modular jacks as your radio port connector. COS and CTCSS decoder input polarity is selectable through easy-to-use push-pin jumper blocks, so the RC210 can accommodate just about any radio available.

Audio gating is provided on each radio port so you may obtain audio directly from the receiver's discriminator without the worry of finding a source of gated audio in the receiver. De-emphasis is also provided on each port. However if you don't need de-emphasis on any particular port, it's a simple matter to change a jumper (no soldering required) and obtain "flat" audio (20 hz to 15Khz) throughout the audio chain. The use of low-noise JFET operational amplifiers ensures good gain, high input impedance, and very clean audio.

DTMF tones are normally muted on ALL ports however you can turn off muting on a port-by-port basis. This allows for passing DTMF tones out a link.

Any port can be used for entering DTMF commands, even programming commands for other ports. Since each port has its own, dedicated DTMF decoder, a command can be entered from any port uninterrupted regardless of activity on other ports.

Many timers are provided, such as repeater transmitter hang time, timeout, ID intervals, how long the cooling fan should remain on after the transmitter unkeys, and more. These timers are remotely programmable.

The RC210 incorporates true human speech. A custom, repeater oriented vocabulary is provided for use in IDs, alarm and other controller messages. In addition, the on-board digital voice recorder allows the recording of up to 20 custom recordings which may also be used in these messages.

All parameters of the controller can be remotely programmed using DTMF. Timers, control codes, port configuration and messages can all be changed at the whim of the repeater owner. All the command codes may be programmed to your own, special and unique code. This makes the RC210 very easy to incorporate into existing systems without users having to relearn code structures. All parameters are stored in non-volatile EEPROM, so your settings are retained even if the controller loses power.

The controller's programming is protected from unauthorized access by the use of 3 different secret (Unlock) passcodes - one used for each port. Each port may be programmed independently without affecting the others.

The RC210 represents all numbers in standard decimal notation. In other words, you don't need to worry about converting programming parameters to hexadecimal notation before actually programming anything. And our RCP Windows software makes programming your RC210 a snap!

There are 7 buffered general-purpose digital outputs also provided that can be used to remotely control devices at the repeater. Alternately these outputs can be programmed to perform other tasks. With the addition of simple external shift registers, these can be expanded to 32 outputs.

The controller uses flash memory to store its operating program. Just plug your computer into the RC 210's programming port and you can upload updates in minutes.

A Word About Identification

The RC210 provides an intelligent algorithm for ID sequences to minimize disruption to ongoing repeater communications, while providing entertaining messages and meeting FCC requirements for repeater identification.

If the repeater has not been in use for a period of time and a new user keys the repeater, the controller will ID after he unkeys with one of the three Initial ID messages (these messages automatically rotate). This message could say "Welcome" followed by the callsign, or some other such "friendly" message.

After the Initial ID is finished, the Pending ID timer starts to run. After it times out, it looks to see if any repeater activity has occurred since the Initial ID played. If there has been activity and no user is currently talking, the Pending ID is played. Otherwise, the controller waits for no user and then will send the Pending ID message.

Specifications

Microprocessor:	Atmel ATmega2560 RISC processor running at 16 Mhz
Program Memory:	256K Bytes - Flash EEPROM
Running Memory:	4K Bytes RAM, 4K Bytes EEPROM
Speech Method:	ISD 4003 series VoiceCorder© IC
Logic Inputs:	Low < .8 volts High: 5 volts max (Zener protected)
Analog Inputs:	0 - 5 vdc maximum
Logic Outputs:	30v @ 100 ma open drain JFET
Audio Inputs:	High impedance >10K
Audio Outputs:	up to 6 volts p-p
Power Requirement:	11.5 to 15V dc @ 70 ma.
Operating Temp:	-40 to +85 degrees C
Board size:	9.0 x 5.2 inches (9.0 x 5.4 inches including connectors)
Connectors:	Phoenix 4 pin power connector (mating plug included with RC210) DB-25 female for I/O and A/D. Radio ports are DB9 or RJ45

Hardware Reference

Power

The RC210 requires anywhere from +11.5 to +15 vdc at 70 ma. This voltage source should be clean, filtered DC. Power connection is made through a Phoenix power connector (which may be removed from the pc board) and the mating plug is included with the RC210. There is no need to worry about using a fuse, as the RC210 is protected by an on-board, self-resetting fuse. Once the overload condition is cleared, the fuse will automatically reset.

Table 1

Pin Number	Description
1	+11.5 to 15 V DC @ 60 ma
2	Battery backup
3	Ground
4	Ground

Note: Pin 1 is closest to the DB25 I/O connector

There are two ground provided for your convenience but only one actually needs to be connected to the negative (-) side of your power source. The battery backup pin may be used to ensure the controller remains powered during power outages. This will allow the RC210 to continue to function and the on-board real time clock will not lose time. If this connection is made, the RC210 automatically and instantaneously switches power. **Note: If you have the optional RTC Real Time Clock Module installed, the Clock and Calendar will continue to operate normally, even without the BAT connection made if power is removed**

Also note that the power connector comes installed but may be unplugged from the RC210 pc board as needed

Carrier Operated Switch

The signal from the receiver which indicates that a signal is present is called COS. The RC210 can accommodate a COS signal that presents either a logic high (5 to 15 volts dc) or a logic low (< .6 vdc) when a signal is present. Table 2 shows the settings of the corresponding jumpers.

Table 2

Jumper	Description	Pins 1 & 2	Pins 2 & 3
JP1	Port 1 CTCSS	Active Low	Active High
JP2	Port 1 COS	Active Low	Active High
JP3	Port 2 CTCSS	Active Low	Active High
JP4	Port 2 COS	Active Low	Active High
JP5	Port 3 CTCSS	Active Low	Active High
JP6	Port 3 COS	Active Low	Active High

The RC210 presents a high impedance on its logic inputs (>10K ohms), you can choose a point in the receiver without concern that the controller will "load it down". These specifications apply to all logic inputs used with the RC210.

Sub-Audible Tone Decoder

In addition to the COS signal, the controller can optionally use a signal derived from an external CTCSS (*continuous tone controlled squelch switch*) decoder on each port. If this option is used, the controller can be commanded to require users to use sub-audible tone with their transmissions on that port. The RC210 accommodates either a logic high (5 to 15 vdc) or a logic low (< .8 v) when a valid tone is detected. This is set using the jumper settings, as shown in Table 2.

Push-To-Talk

The controller provides a solid-state switch closure to ground, capable of sinking 100 ma from a positive source at a voltage of up to 30 vdc and uses a JFET output so it pulls very close to ground. This should accommodate just about any radio on the market.

Receiver Audio And De-Emphasis

Audio from the receivers needs to be supplied to the controller and is controlled by a crosspoint switch matrix under microprocessor control. Each receiver's audio is routed to the appropriate transmitter(s) as needed.

The audio circuitry in the controller allows for a variety of signal levels and impedances. It is capacitively coupled, which means that a dc level may be present on the signal provided. The level is internally adjustable, so a fairly wide range of levels is acceptable, but for best results the level should be between .5 and 2.5 volts peak-to-peak. This should accommodate just about any receiver.

The input impedance is high (>10K) , so that audio may be picked off anywhere inside the receiver without loading problems. **Supplied audio does not need to be de-emphasized nor gated, as the controller takes care of this for you.** If you choose a point inside the receiver that is already de-emphasized, you should remove the jumper to disable the controller's de-emphasis circuitry. In this case the controller's audio input stage will provide flat audio. Table 3 shows how to configure these jumpers

Table 3

JUMPER	PORT #	DE-EMPHASIS	FLAT
JP7	1	ON	OFF
JP8	2	ON	OFF
JP9	3	ON	OFF

Transmitter Audio

Audio is supplied from the controller to the various transmitters. This audio consists of receiver, speech and tone audio, switched and mixed under control of the CPU in the controller.

The audio is high level and medium impedance, so it's easy to find a good place to inject it into the transmitter. The high level minimizes hum and noise pickup and may be knocked down at the transmitter if necessary. However the level is internally adjustable and this option should rarely be necessary. The output is capacitively coupled, so you connect it without concern of dc voltage at the point of connection to the transmitter.

DTMF Decoders

Each port has its own dedicated DTMF decoder, with each decoder being connected full time to its respective port. DTMF may be entered at any time from any port without regard to activity on the other ports. The controller will store the commands and act on them in the order they were received. Each decoder may be configured to require CTCSS in order to function or not require CTCSS.

Indicator LEDs

LED's are provided for monitoring all the Port's COS, CTCSS, PTT and Valid DTMF signals. These can be useful for setting up and verifying operation of these various signals and are marked directly on the PC board. In order to reduce power consumption when the LEDs do not have to be powered up, the push-on jumper on JP13 may be removed. If mounting the RC210 in a cabinet, a switch may be connected to JP13 to allow the operator to conveniently turn the LEDs on and off as needed (our RC210 Rack Mount includes a display switch for you)

Auxiliary Audio Inputs

These inputs allow you to add external audio devices without using one of the radio ports. For example, you could connect a weather receiver to one and be able to monitor weather conditions on demand. If the weather receiver has an output that is triggered when a S.A.M.E. Alert is issued, you can use one of the Alarm inputs on the RC210 to automatically trigger one (or all) of the transmitters.

The Auxiliary Audio Inputs do not provide any means for adjusting their level, so you must provide this capability in your interface between your audio source and the RC210. The impedance of these inputs is approximately 20K and the level should be adjusted to approximately 100 mv peak-to-peak.

Expansion Connectors

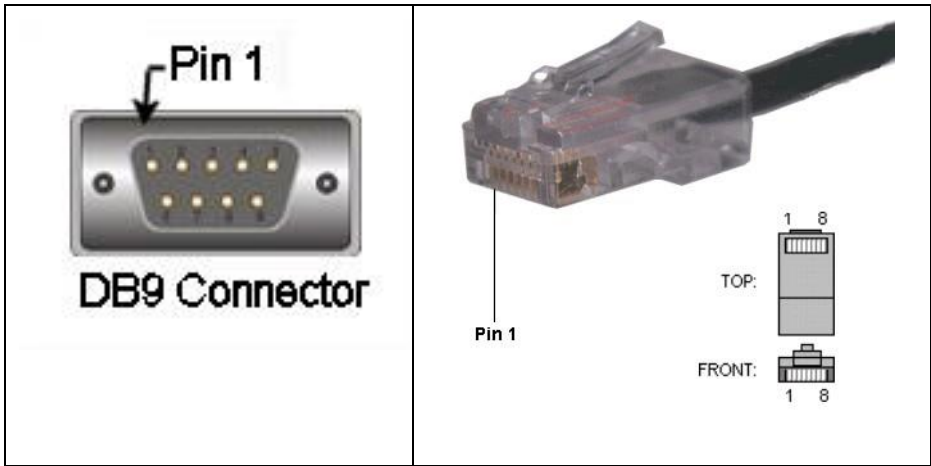
There are several pin header connectors on the PC board which allow for easy access to several data lines in the RC210.

J7 - I/O EXPAND		J9 - AUDIO EXPAND	
Pin 1	Shift Register Data	Pin 1	Digital Gnd
Pin 2	Shift Register Clock	Pin 2	Vcc (+5)
Pin 3	Shift Register Latch	Pin 3	Record input to ISD
Pin 4	LED Serial Data	Pin 4	Auxiliary Audio Input 3
Pin 5	LED Data	Pin5	Auxiliary Audio Input 2
Pin 6	LED Clock	Pin 6	Auxiliary Audio Input 1
Pin 7	Vcc (+5 Vdc)		
Pin 8	Digital Ground		

Radio Connections

Each port connector provides all connections needed for your radios. The RC210 comes with two versions of connectors - DB9 computer style connectors or RJ45 modular jacks.

9-Pin	RJ-45	Direction	Name/Description
1	1	-----▶	CTCSS Encode Control OUT
2	2	◀-----	CTCSS Decoder Logic IN
3	3	-----▶	TX PTT radio control OUT
4	4	-----▶	TX Audio output to radio
5	5	◀-----	Audio input from radio
6	6	◀-----▶	Ground
7	7	◀-----	RX COS Logic IN
8	8	◀-----▶	Ground
9		◀-----▶	Ground



I/O Connections

The RC210 supports connecting external devices (other than radios of course) by the use of a DB25 connector. The pinout is as follows:

<u>Pin</u>	<u>Name</u>	<u>Description</u>	<u>Pin</u>	<u>Name</u>	<u>Description</u>
1	AD1	Analog Channel 1	14	UF6	Logic Output 6
2	AD2	Analog Channel 2	15	UF7	Logic Output 7
3	AD3	Analog Channel 3	16	IN1	Logic/Alarm Input 1
4	AD4	Analog Channel 4	17	IN2	Logic/Alarm Input 2
5	AD5	Analog Channel 5	18	IN3	Logic/Alarm Input 3
6	AD6	Analog Channel 6	19	IN4	Logic/Alarm Input 4
7	AD7	Analog Channel 7	20	IN5	Logic/Alarm Input 5
8	AD8	Analog Channel 8	21	VCC	+5 for ADC reference - 25 ma MAX.)
9	UF1	Logic Output 1	22	FAN	Fan Output
10	UF2	Logic Output 2	23	FAN2	Reserved use, do not connect
11	UF3	Logic Output 3	24	UF8	Reserved use, do not connect
12	UF4	Logic Output 4	25	GND	Analog Ground
13	UF5	Logic Output 5			

J5 (marked "Program")

This is the 10 pin header located near the CPU. It is for factory use only.

CAUTION: DO NOT CONNECT ANYTHING TO THIS HEADER

Setting Audio Levels

Refer to the PCB layout at the end of this manual while making adjustments. If you do not have a signal generator or oscilloscope, you might want to explore the use of a Sound Card based Audio Spectrum Analyzer program available from InterFlex Systems Design Corporation. It can be helpful to measure audio levels, look for distortion, twist in the DTMF tones, etc.

Using a signal generator, generate a signal on the receiver's frequency with 1000 Hz modulation @ 3 KHz deviation. Keep in mind that for best quality audio and to avoid clipping, we want the minimum amount of amplification necessary. An oscilloscope should be used to measure the voltage. Following the Table 5, adjust the appropriate trimpot for a level of .75 volt peak-to-peak at the corresponding test point.

Table 5

PORT	TRIMPOT	TESTPOINT
1	"Port1 Disc"	TP1
2	"Port2 Disc"	TP2
3	"Port3 Disc"	TP3

Note: If you are unable to obtain sufficient level from the receiver you're using, you may change R33 (Port 1), R35 (Port 2) or R41 (port 3) from the existing 110K to a value of 270K in order to increase the gain of the input amplifier stages. If you use de-emphasis on the affected Ports, you'll want to change C26 (Port 1), C25 (Port 2) or C30 (Port 3) to .001 as well

Once the receiver levels are adjusted, it's time to adjust the transmitter audio levels. While still generating a signal on the receiver frequency, adjust the corresponding trimpot for +/- 3 KHz deviation of the appropriate transmitter.

Table 6

PORT	TRIMPOT
1	"P1 Tx"
2	"P2 Tx"
3	"P3 Tx"

Using a radio equipped with a DTMF pad, transmit on the receiver frequency and while transmitting a DTMF tone (it is suggested you use either a "3" or a "5" for this adjustment, as these are the most difficult tones to decode. The corresponding LED should light with every DTMF key press.

Note: If you don't have access to test equipment, you can temporarily adjust the receiver buffer trimpots until they just reliably decode DTMF and adjust the transmit trimpots so the repeated audio "sounds the same" as does your radio when transmitting direct. But be sure to set these levels with the proper test equipment before deploying your repeater!

The Tone trimpot adjusts the level of courtesy tones and CW ID's. You should adjust it for +/- 3 KHz deviation.

The Play trimpot adjusts the level of the output of the speech chip. You can adjust this for a comfortable level while the controller is speaking (you can enter a command that causes the controller to speak in order to adjust this level).

The Record trimpot should be adjusted so a recorded DVR track produces the same transmitted deviation as controller speech when recorded from the air. (for recording a DVR track with our RCP Software, please refer to the RCP Manual)

Note: If you have set the discriminator and transmit audio levels correctly, the levels of tones and speech should be identical on all 3 ports.

Audio Delay Expansion Headers

Audio from the receiver buffers is routed through pin header connectors on the PC board to allow connection of the Arcom *repeater audio delay* (RAD) board. This board provides an audio delay of approx. 60-200 ms, which removes DTMF bursts and squelch tail crashes from the transmitted audio. If the board is not connected, there must be jumpers in place between pins (pins 2 & 3) of JP10, JP11 and JP12 to complete the audio path from receivers to the crosspoint switch.

Checking COS And PTT Operation

Once connections are made, the next step is to verify that COS and PTT are operating properly. There are a series of LED's on the RC210 that are used to indicate the status of various functions. Their function is marked on the PC board. They may be turned off to save power when you don't need them by removing the jumper from JP13. By observing the LED's, you can easily verify COS, PTT, CTCSS and DTMF operation.

Analog Inputs

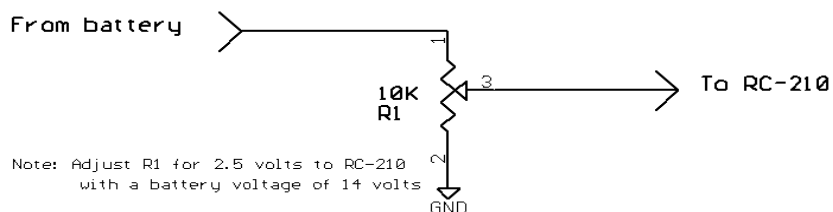
The RC210 allows you to connect external analog devices and readback their value on command. This is typically used for remote monitoring of such things as backup battery voltage, transmitter power, etc. There are 8 "meters" corresponding to the 8 Analog inputs. There are 6 meter faces you may define (this is explained in the Programming section) to any of these meters; the selection of which properly scales the reading as well as properly "announcing" the meterface when readback of the value is requested.

Volts
Amps
Watts
Degrees
MPH
Percent

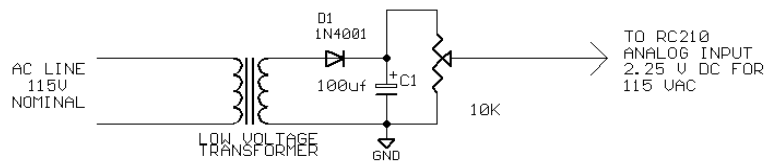
NOTE: While these inputs are protected against reasonable overload conditions, care should nevertheless be taken never to apply a voltage that exceeds +20v or any voltage that is below ground (negative).

Voltage

The major task involved in using a meter face is to design a sensor circuit that generates a sensor voltage in the approximate range of 0 to 5 Vdc that is linearly related to actual physical measurement, such as a 12 volt battery. A simple device to measure battery voltage would be a 10K potentiometer (pot). The actual voltages would be across the entire pot, and the sensor voltage would be taken off the wiper. To adjust the pot correctly, it might be set to produce 2.5 volts output at the wiper when 20 volts is put across the entire 10K. Since the typical battery used in a repeater is unlikely to produce 20 volts, this would be a safe "transducer" or sensor circuit for a typical 12 volt battery.



Or perhaps you'd like to monitor AC line voltage:



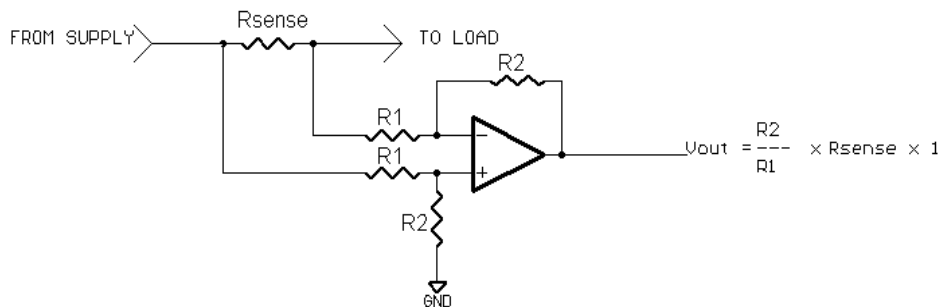
Current

Measuring current requires a circuit which develops a voltage proportional to current. This can easily be accomplished with a small value current sensing resistor and a differential type operational amplifier and 4 resistors. The output of the op amp is equal to the current times the value of the sensing resistor, times the voltage gain of the amplifier. The value of the sensing resistor that should be used depends on the maximum load current, since the voltage drop across the resistor reduces the voltage to the load. Be sure to calculate the worst case power dissipation of the resistor (I^2R) and use an appropriately rated resistor.

Ideally, a power supply with remote sensing would be used, with the sense return after the sensing resistor. This way, the voltage drop through the sensing resistor would be compensated for by the power supply.

The 4 resistors used in the op amp circuit should be 1% metal film types. Be sure that the common mode input voltage range of the op amp will accommodate the operating voltages that result from the resistor/gain selection. For example, an LM324 or LM358 op amp, operating a single ended supply of +12 will operate properly with input voltages between 0 and 10 volts.

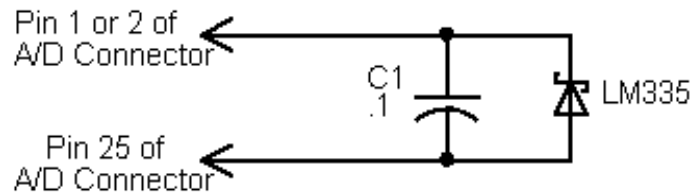
The following shows how to measure current



Measuring Temperature

It's a simple matter to measure temperature at the repeater site, using an LM335 Precision Temperature Sensor. The LM335 is electrically like a zener diode with a precision temperature/voltage characteristic. It will provide a resolution of ± 2 degrees.

There are spaces for installing resistors (R13 & R14) on the PC board that act as the reference voltage source when using an LM335 on ADC channels 1 & 2. This allows you to eliminate some external parts by installing 4.7K resistors right on the board. These resistors are not provided but if you install them, there are only 2 connections between the sensor and RC210 necessary.

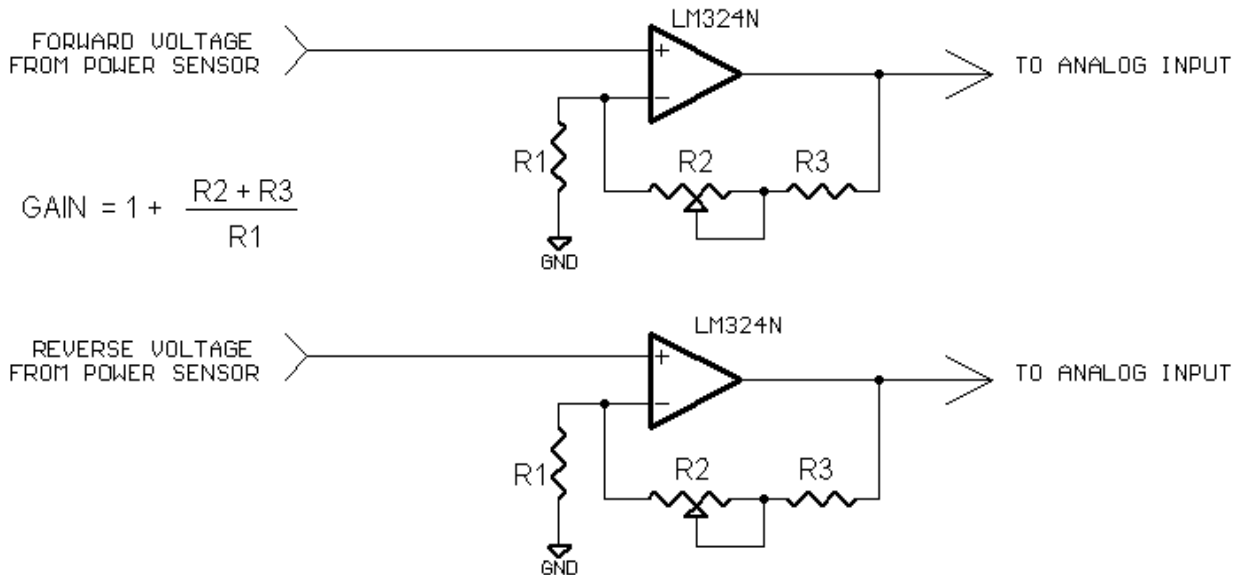


Measuring Power

Power is different than other types of measurements in that meter deflection is not linearly proportional to power level. The scale is expanded out at the low end and "compressed" at the high end. This is due to the fact that power is proportional to voltage or current squared (this is known as a *logarithmic* scale). The power meter face in the RC210 takes this into account when taking a measurement.

Many watt meters provide a dc voltage output relational to forward and reflected power. In this example, we'll show how to use these outputs to interface to the RC210.

Resistors are selected on the basis of the power level to be measured to provide 0 to 5 volt dc levels to the controller's analog inputs and should be adjusted for accurate reading at the normal power level.



Alarms

The RC210 incorporates 5 alarm logic inputs that when used with the proper sensors, can monitor various things around the repeater site. For example, you could install a switch on the door to the building, so you'd know when someone opens the door. More details may be found in the Programming Reference section of this manual.

All logic inputs are triggered on a leading-edge logic change (i.e. high-to-low and low-to-high) and will run a pre-programmed Command Macro upon the transitions shown. That is to say that if an Alarm Input changes from a logic high to logic low, it will run one Command Macro and when it changes back from a logic low to a logic high, it will run another Command Macro. See the Programming Alarm section of the Operations & Programming Manual for details about this.

NOTE: While these inputs are protected against reasonable overload conditions, care should nevertheless be taken never to apply a voltage that exceeds +20v or any voltage that is below ground (negative).

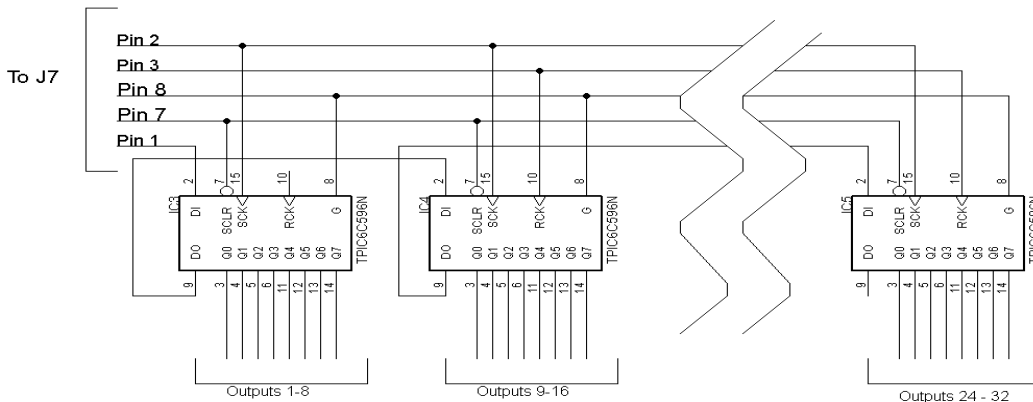
NOTE: Each Alarm Input has a pullup resistor. Therefore any signal you connect should pull to ground in order to be recognized by the RC210

Logic Outputs

The RC210 provides 7 general purpose outputs (expandable to 32) that you can use to switch electronic devices on and off at your repeater site. While these outputs are buffered by open drain (JFET) transistors, care should be used so as not to exceed their ratings (30V dc @ 100 ma). If you're switching an inductive load, be sure to use a quenching diode across it.

NOTE: These outputs do not source any voltage and only "pull to ground" when active (i.e. "ON"). If you need voltage supplied by these outputs when they are OFF, you will need to add an appropriate pull up resistor. This includes the Fan Output below.

If you need more logic outputs, you can connect external shift registers and obtain up to 32 outputs. Fig 1 shows how this can be accomplished.

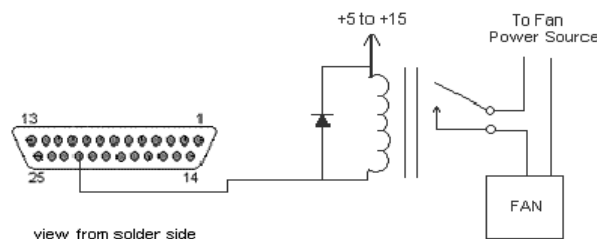


Only some of the stages needed to recover those functions have to be used. Each shift register used adds 8 outputs. So if you only need an additional 32 outputs (above and beyond the 7 "on-board" outputs), you only need add 4 stages. The outputs of the above ICs are open drain JFETs and can directly sink up to 30 volts @ 100 ma.

Fan Output

The controller also provides a switched fan output that can be used to control a cooling fan for the repeater transmitter. To avoid unnecessary wear and tear on the fan, the fan only comes on when any transmitter is keyed, and remains on for 1 to 60 minutes after the last transmitter drops. The amount of time the fan remains on is selected in programming mode.

This output is not meant to drive a fan directly, but rather an external relay or driver transistor which is then used to drive the fan. Its signal is available on Pin 22 of J4, the I/O connector. When active, the Fan Output is pulled to ground. This output is an open drain therefore it will not source any voltage. BE SURE TO INCLUDE A QUENCHING DIODE ACROSS THE COIL AS SHOWN.



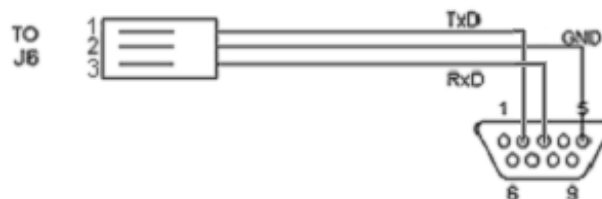
Serial Data Input/Output

The RC210 supports a variety of radios for use as a frequency agile remote base.

If the radio you plan to use with the RC210 uses RS-232 levels directly (you can normally connect your radio to a computer without the need for an external level converter), you use the RS-232 serial connector (J6) on the RC210 and the "computer" connector on your radio. In order to make this connection, you will need to fabricate a cable with a DB9 male on one end and a 3 pin header connector on the other. It is suggested you use a shielded cable.

DB9 Pin 3 Pin Header Pin J6

2	1 (Txd)
3	3 (Rxd)
5	2 Gnd

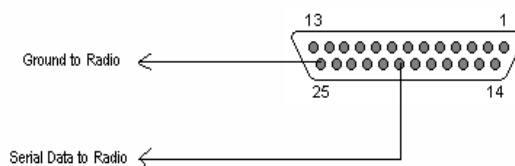


NOTE: If you purchased the RC210R Rack Mount Enclosure, the above connection is already made and available on the DB25 connector on the back of the enclosure and is labeled "Programming" with Pins 2 & 3 the same as for a DB9 but GROUND is on Pin 7 instead of Pin 5

If your radio requires TTL level (it requires a level converter to connect to a computer), you can hook it directly to the RC210 without the need for an external converter by using J4, the A/D and I/O connector. Typical radios would be those such as the Icom IC-706MkIIg.

J4 Pin

20	Serial Data OUT to Radio
25	Ground



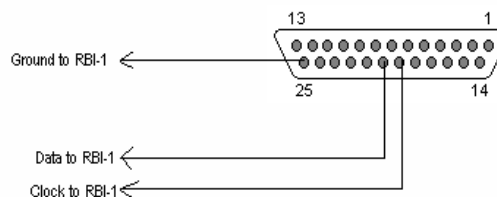
Note: If using this connection, you will lose the use of Alarm Input 5. Set your Icom radio to 9600 baud and an address of &H48

If you're using the Doug Hall RBI-1 Remote Base Interface, the connections are:

J4 Pin

19	Clock Data to RBI-1
20	Data to RBI-1

Note: If using the RBI-1, you will lose the use of Alarm Inputs 4 & 5, as they are used for sending data to the RBI-1.



Using the Kenwood TM-V7 or TM-G707 as your remote base radio, a separate hardware interface is required.

The hardware interface takes care of automatically switching the radio(s) between programming and operational modes and takes care of all other connections (such as COS, PTT and audio signals) through the 6 pin DIN packet connector. There is no need to modify the radio(s) in any way.

The schematic for the V7a/G707 interface may be found at the end of this manual.

Note: If using the V7 Interface, you will lose the use of User Logic Output 7 and Logic Input 5

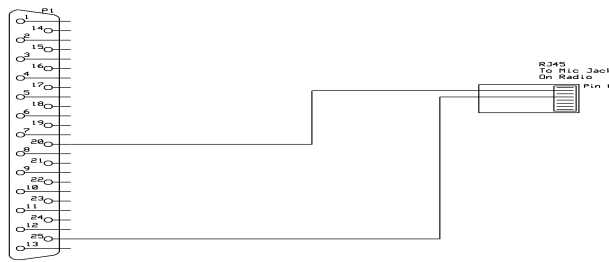


Figure 1

The RC210 supports the Kenwood single-band mobiles TM-271A (2 meters) and TM-471A (70 cm). Interfacing the necessary serial connections is easy. See Figure 1 above

Note: If using this connection, you will lose the use of Alarm Input 5.

In addition to the above connections, you will also need to provide the audio, PTT, etc. signals as well.

Unfortunately, the A suffix models (the ones sold in the USA) do not have a packet jack already installed and the necessary signals are not readily available from the mic jack. Fortunately however, Kenwood made these signals very easily accessible but it does require you open the radio in order to connect to them.

If you remove the cover of the radio, you will see gold plated pads near the power connections. These pads are normally used in the E model (European) to connect a pigtail, which then provides the necessary signal access for packet use. These will supply the needed connections (other than programming) to the RC210 for remote base use as well.

<u>PAD NAME</u>	<u>SIGNAL</u>
PKS	PTT (active low)
SQC	COS (active high of +5)
PR9	Receive audio *
PKD	Transmit audio *

* The characteristics of both receive and transmit audio is determined by menu selection 39, which is normally used for packet.

In the 1200 baud mode:

- PR9 provides 500 mv p-to-p, deemphasized and squelch gated audio
- PKD provides preemphasized transmit audio

In 9600 mode:

- PR9 provides 500 mv p-to-p, non-deemphasized and non-gated discriminator audio
- PKD provides non-emphasized transmit audio

ARCOM COMMUNICATIONS NO-NONSENSE LICENSE AGREEMENT FOR THE OPERATING FIRMWARE OF THE RC210 REPEATER CONTROLLER

IMPORTANT - READ CAREFULLY

This license statement and limited warranty constitutes a legal agreement ("License Agreement") between you (either as an individual or a single entity) and Arcom Communications for the software product ("Firmware") identified above, including any software, media, and accompanying on-line or printed documentation.

BY DOWNLOADING OR OTHERWISE USING THE FIRMWARE, YOU AGREE TO BE BOUND BY ALL OF THE TERMS AND CONDITIONS OF THIS LICENSE AGREEMENT.

Upon your acceptance of the terms and conditions of the License Agreement, Arcom Communications grants you the right to use the Firmware in the manner provided below.

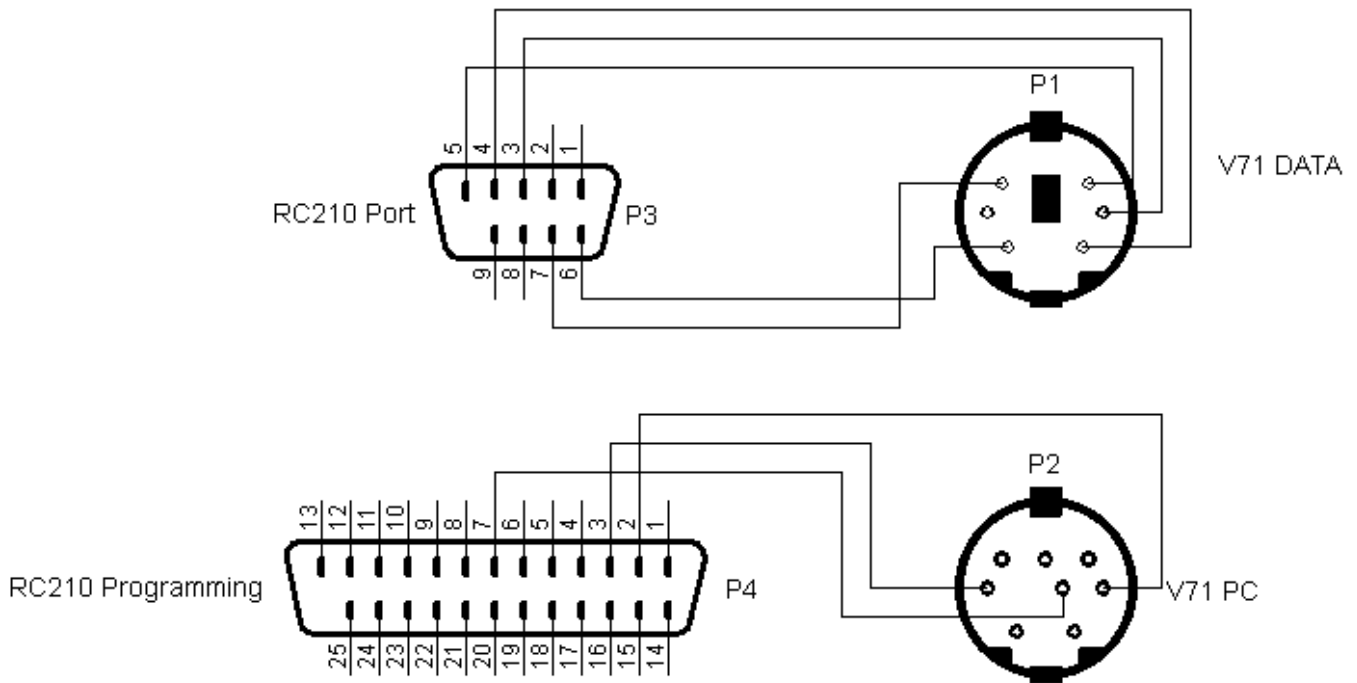
This Firmware is owned by Arcom Communications and is protected by copyright law and international copyright treaty. Therefore, you must treat this Firmware like any other copyrighted material (e.g., a book), except that you may either make copies of the Firmware solely for backup or archival purposes or transfer the Firmware to a single hard disk provided you keep the original solely for backup or archival purposes.

You may transfer the Firmware and documentation on a permanent basis provided you retain no copies and the recipient agrees to the terms of this License Agreement. Except as provided in this License Agreement, you may not transfer, rent, lease, lend, copy, modify, translate, sublicense, time-share or electronically transmit or receive the Firmware, media or documentation.

TO THE MAXIMUM EXTENT PERMITTED BY APPLICABLE LAW, ARCOM COMMUNICATIONS DISCLAIM ALL OTHER WARRANTIES AND CONDITIONS, EITHER EXPRESS OR IMPLIED, INCLUDING, BUT NOT LIMITED TO, IMPLIED WARRANTIES OF MERCHANTABILITY, FITNESS FOR A PARTICULAR PURPOSE, TITLE, AND NON-INFRINGEMENT, WITH REGARD TO THE FIRMWARE, AND THE PROVISION OF OR FAILURE TO PROVIDE SUPPORT SERVICES. THIS LIMITED WARRANTY GIVES YOU SPECIFIC LEGAL RIGHTS. YOU MAY HAVE OTHERS, WHICH VARY FROM STATE/JURISDICTION TO STATE/JURISDICTION.

LIMITATION OF LIABILITY TO THE MAXIMUM EXTENT PERMITTED BY APPLICABLE LAW, IN NO EVENT SHALL ARCOM COMMUNICATIONS OR ITS SUPPLIERS BE LIABLE FOR ANY SPECIAL, INCIDENTAL, INDIRECT, OR CONSEQUENTIAL DAMAGES WHATSOEVER (INCLUDING, WITHOUT LIMITATION, DAMAGES FOR LOSS OF BUSINESS PROFITS, BUSINESS INTERRUPTION, LOSS OF BUSINESS INFORMATION, OR ANY OTHER PECUNIARY LOSS) ARISING OUT OF THE USE OF THE FIRMWARE OR INABILITY TO USE THE FIRMWARE PRODUCT OR THE PROVISION OF OR FAILURE TO PROVIDE SUPPORT SERVICES, EVEN IF ARCOM COMMUNICATIONS HAS BEEN ADVISED OF THE POSSIBILITY OF SUCH DAMAGES.

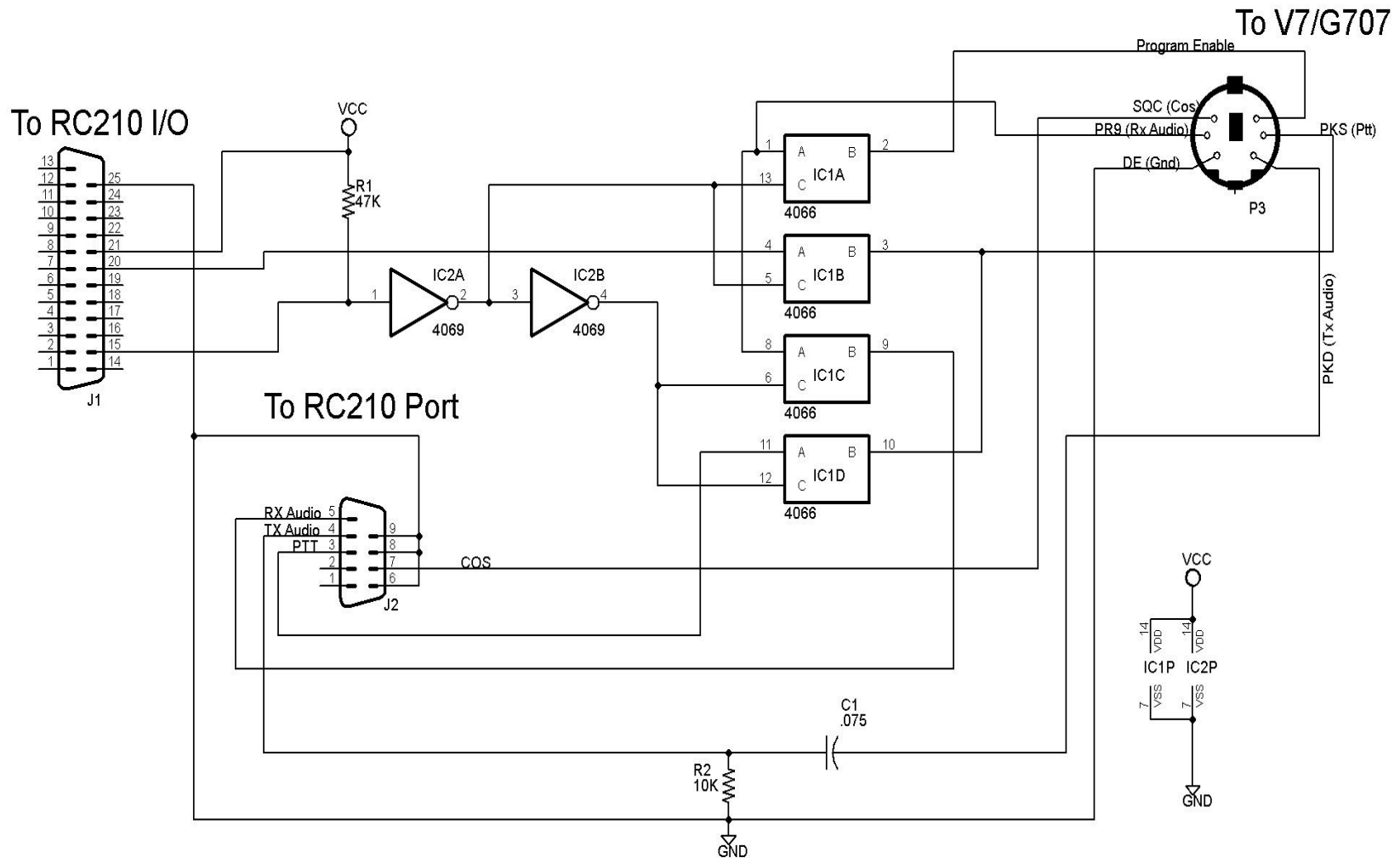
TM-V71A Cabling



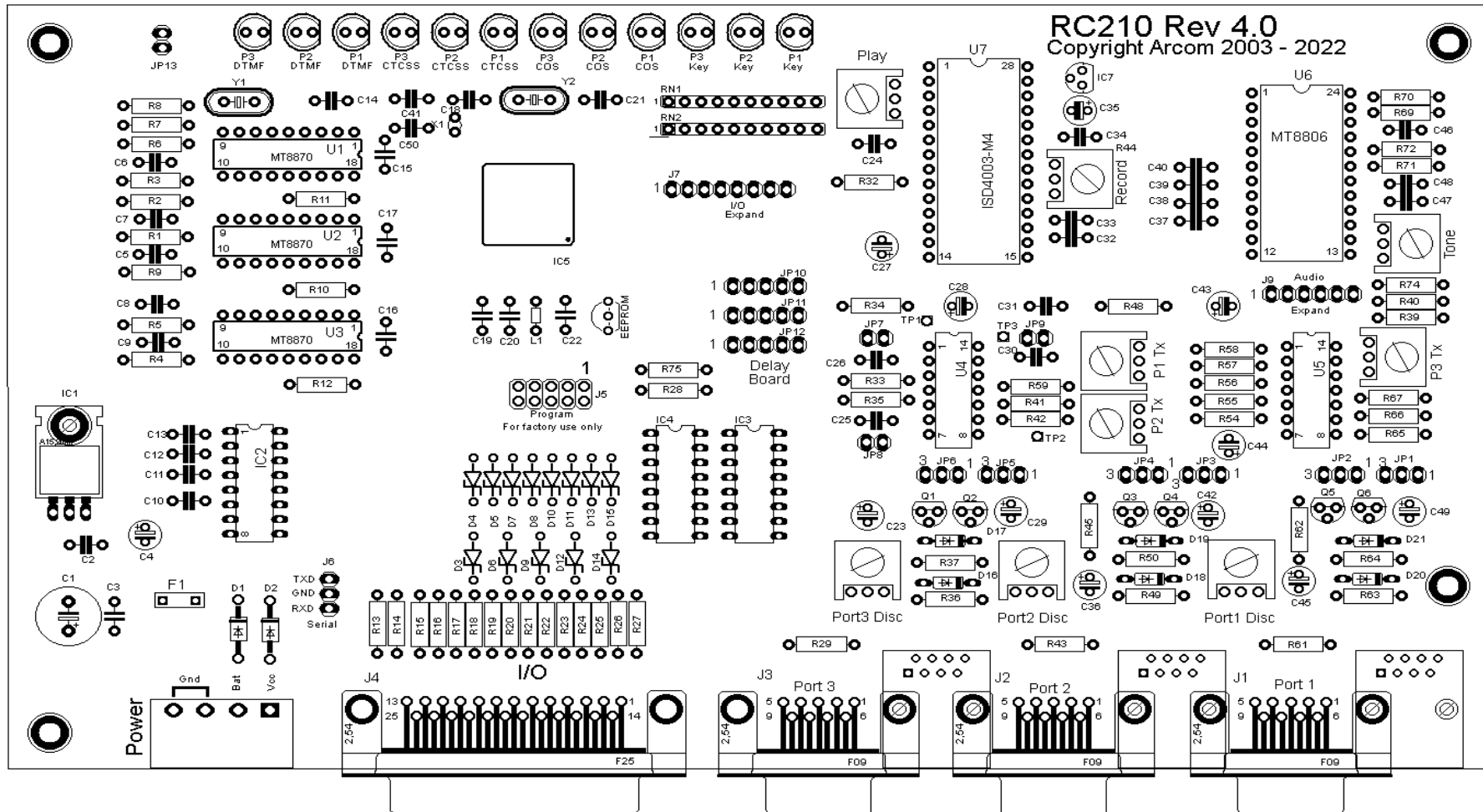
ALL CONNECTORS ARE MALE AND SHOWN FROM SOLDER SIDE

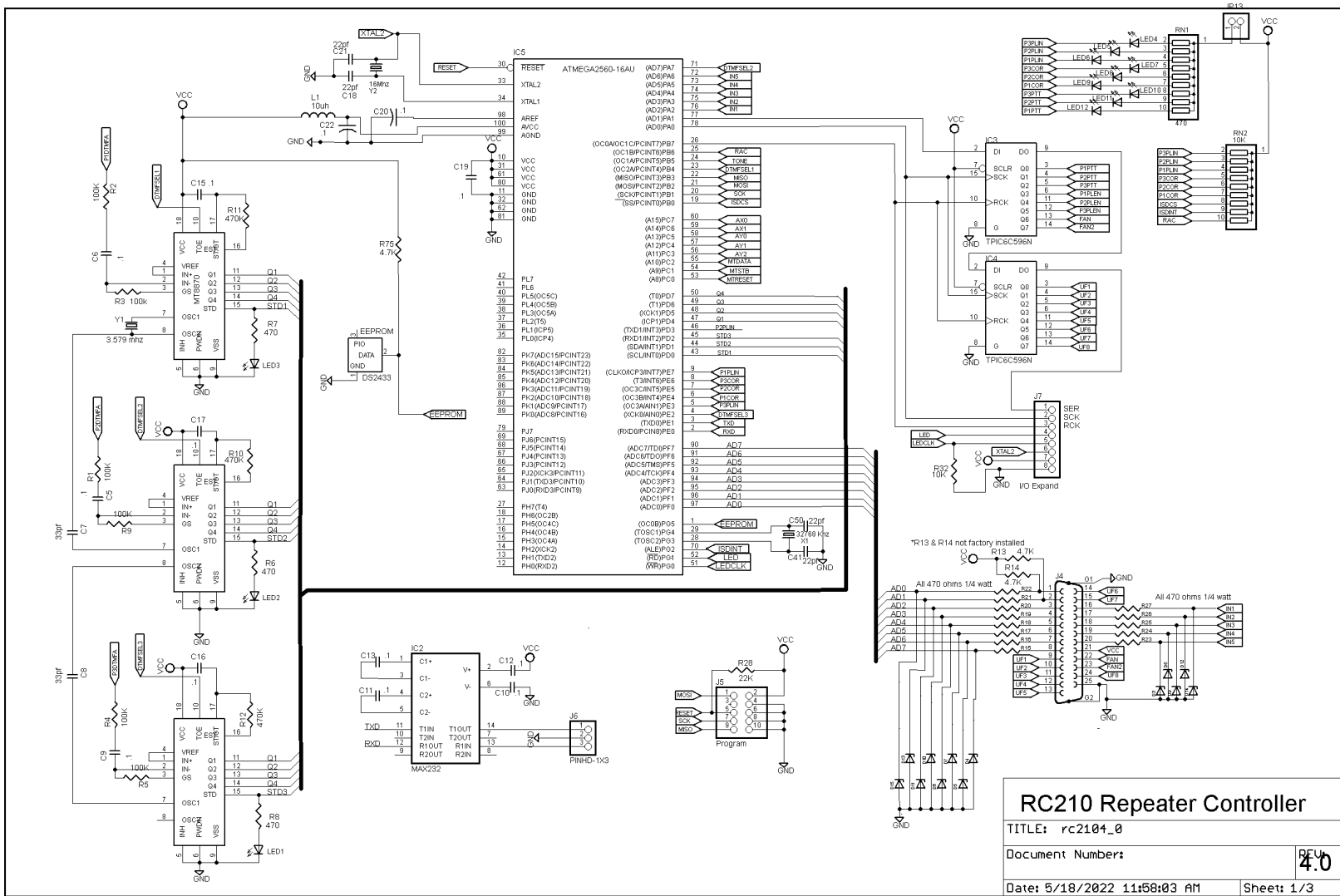
CAUTION! The DB25 plugs into the connector on the RC210 marked "Programming". Do not connect to the I/O connector or you may damage the RC210 or TM-v71a

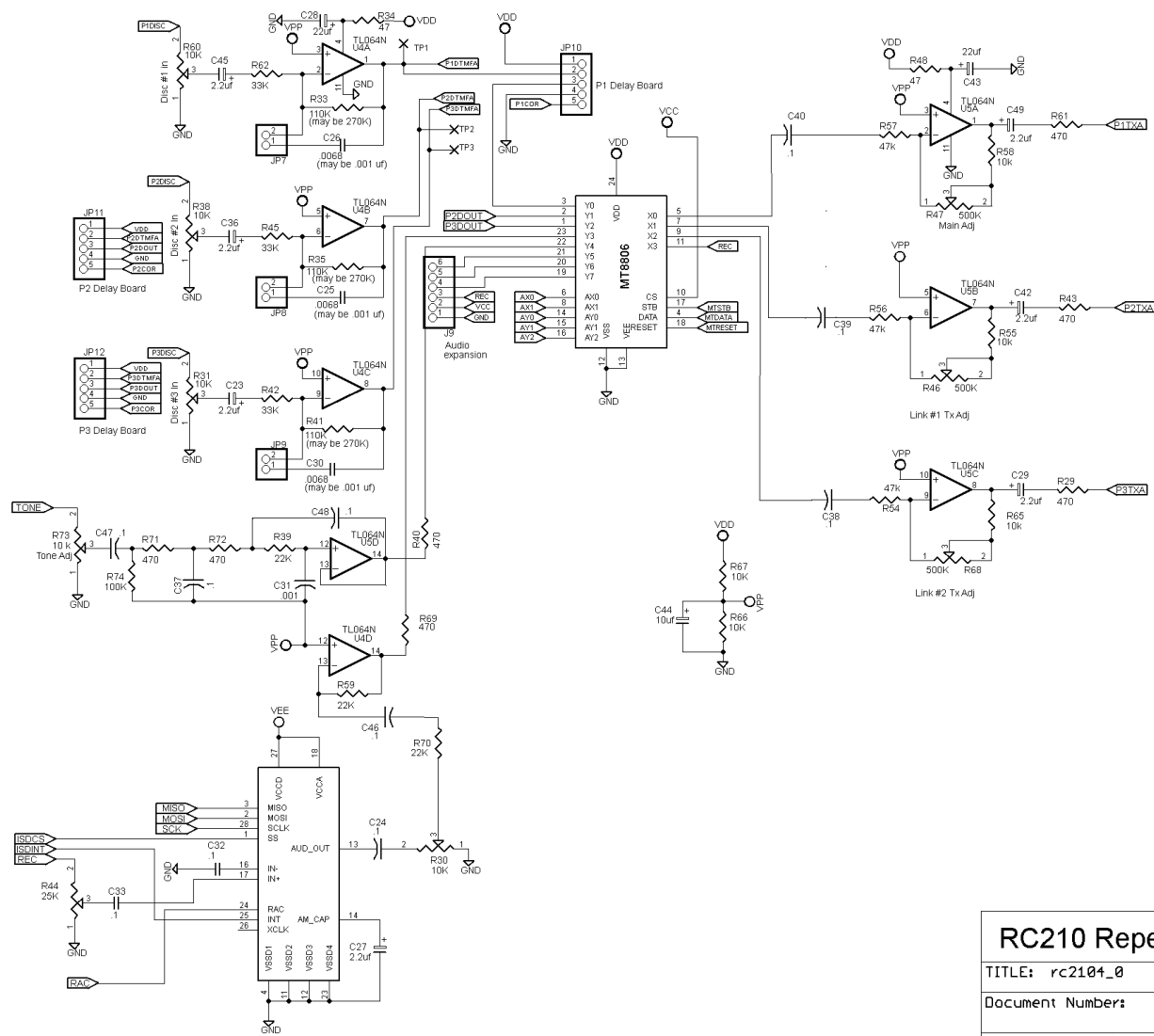
TM-V7a/g707 Interface Schematic



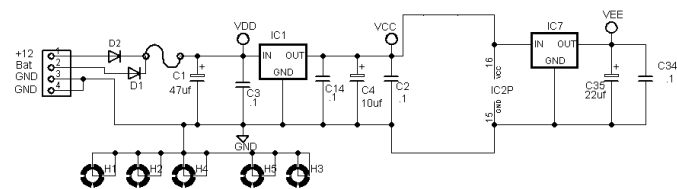
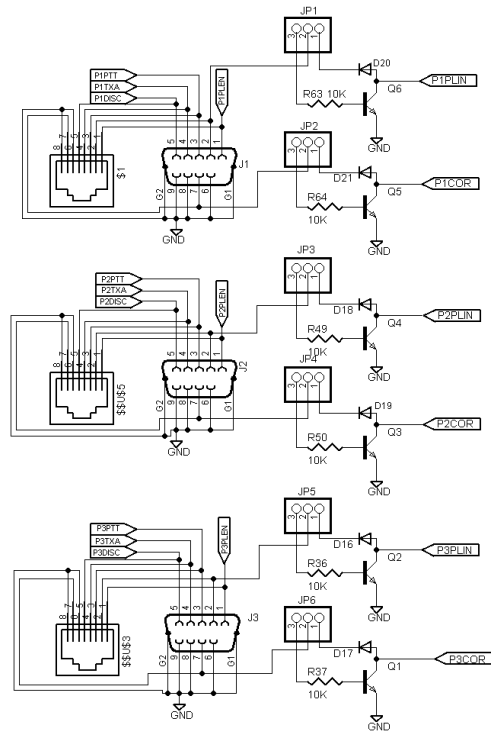
PC Board Layout







RC210 Repeater Controller	
TITLE: rc2104_0	
Document Number:	REV: 4.0
Date: not saved!	Sheet: 2/3



RC210 Repeater Controller	
TITLE: rc2104_0	
Document Number:	REV: 4.0
Date: 5/18/2022 11:48:58 AM	Sheet: 3/3